

SPS 8000

SANY PALFINGER

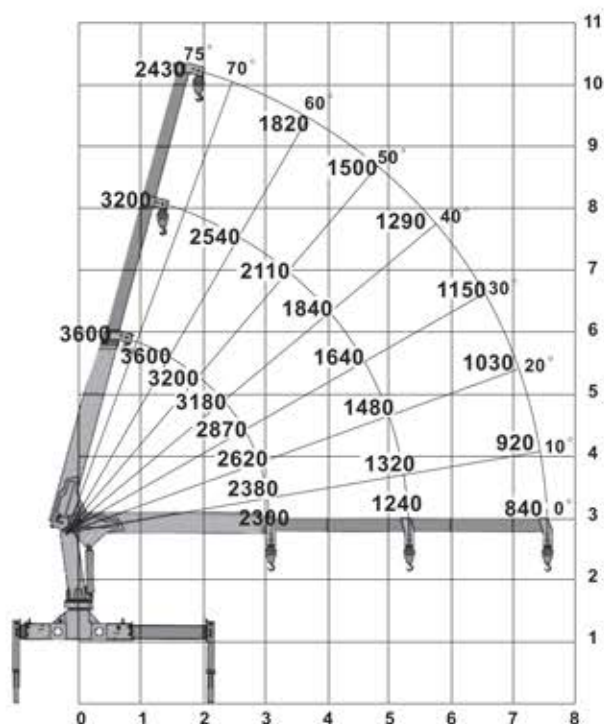
Exclusive Distributor

STIFF BOOM CRANE



A (3 BOOMS)

TECHNICAL SPECIFICATIONS



Model		SPS 8000 A-F	SPS 8000 B-F
Max. lifting moment	mt	8	8
Max. lifting capacity	kg/m	3200/2.5	3200/2.3
Number of booms	sections	3	4
Max. hydraulic outreach	m	7.8	10.2
Max. lifting angle	o	75	75
Slewing angle	o	Endless	Endless
Stabilizer spread (std.)	mm	4400	4400
Operating pressure	MPa	23/25	23/25
Recommended pump capacity	L/min	35	35
Oil tank capacity	L	100	100
Crane Weight	kg	1200	1300

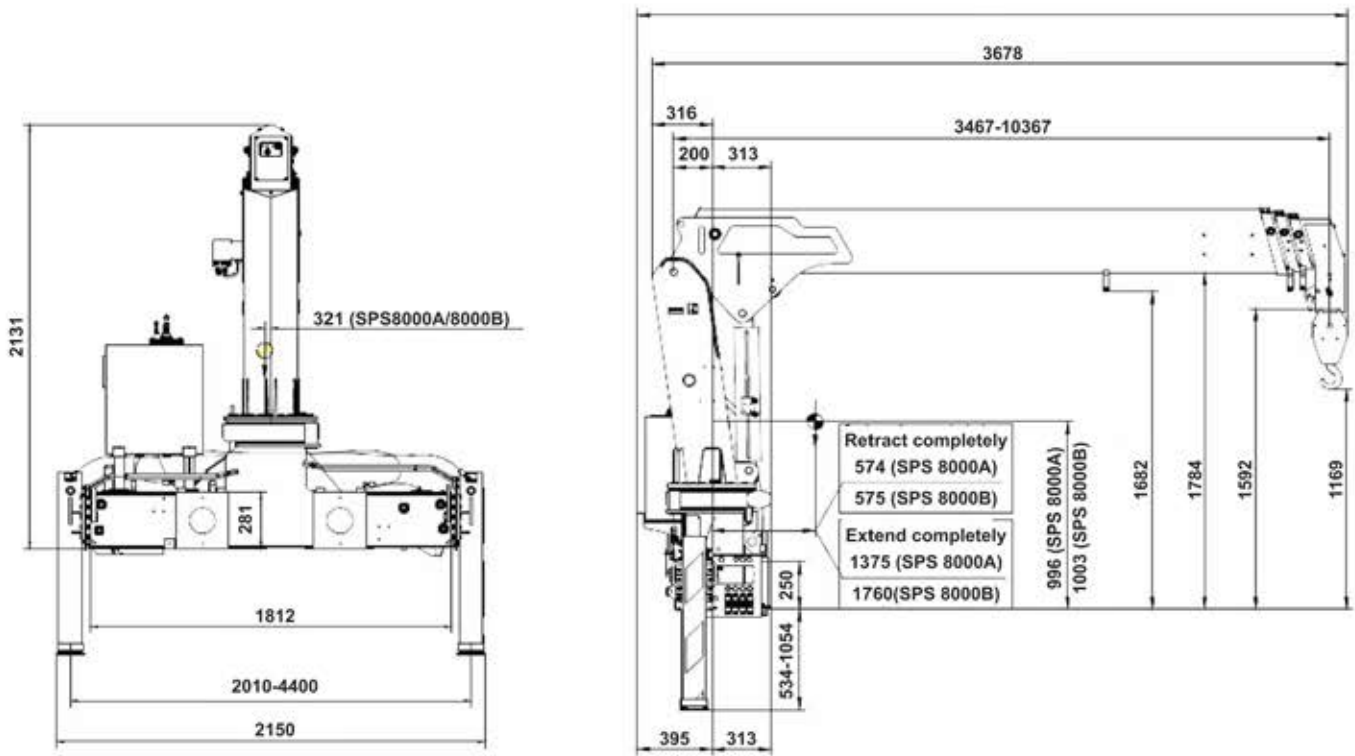
**HD
Paint
protected**

* Optional features / country-specific equipment



- Longer boom variant for wider working areas and lifting height
- Strong lifting performance
- 2 working lights with 2m cable, easily positioned to suit end-users' preference¹
- Integrated oil tank provide ease of mounting
- Lower seat (on base) and hydraulic stabilizer¹ for operation comfort
- Overload protection system¹
- Manufactured with European quality processes to ensure safety and reliability
- High Density (HD) Paint system provides better resale value retention and attractive aesthetics.
- Suitable for installation on 2 axles trucks

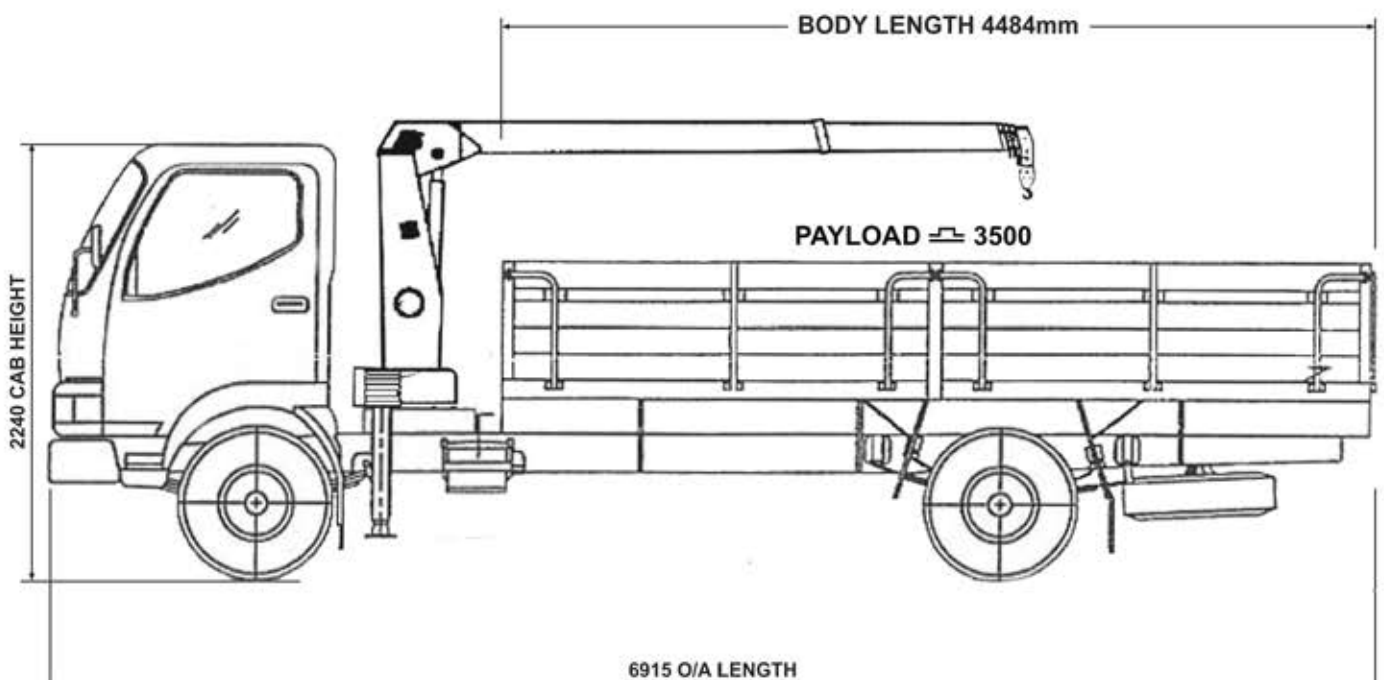
DIMENSIONS



* All dimensions are in mm

** Applications shown in the leaflet do not always correspond to the standard specifications, Design and specification are subject to change without prior notice. **

SIDE VIEW





CE ASIA HEAVY MACHINERY SDN BHD

No. 21, Jalan Kempas Utama 3,
Kempas Utama Industrial Park,
81200 Johor Bahru, Johor, Malaysia.

TEL +6 07- 559 0188

FAX +6 07- 559 0272

EMAIL SALES@CEASIA.MY

WEBSITE WWW.CEASIA.MY

SHOWROOM

Lot 3973, Pasir Gudang Highway,
Mukim Tebrau,
81200 Johor Bahru, Johor.

H/P: 016-779 9282



SANY PALFINGER

- SALES NETWORK
- SERVICE CENTRE
- SPARE PARTS
- TRAINING CENTRE
- SHOWROOM

