

SPK 23500

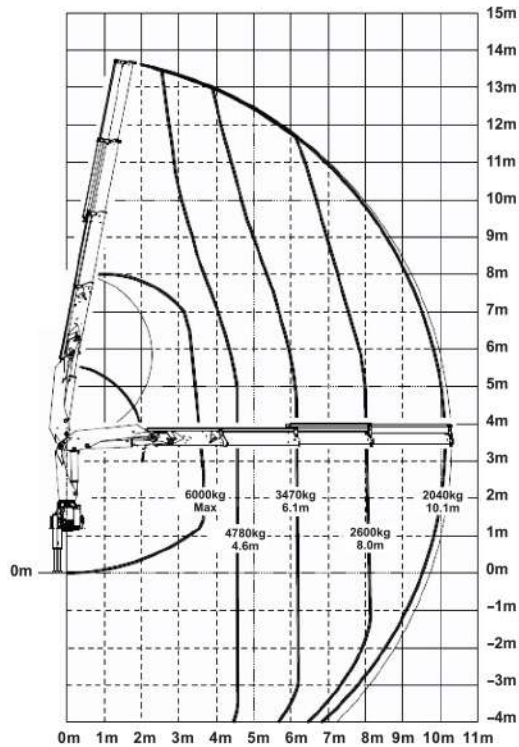
SANY PALFINGER
Exclusive Distributor

KNUCKLE BOOM CRANE



SPK 23500 B

TECHNICAL SPECIFICATIONS (EN 12999 H1-B3)



Max. Lifting Moment	mt	23.0
Max. Lifting Capacity	kg	6100
Max. Hydraulic Outreach	m	8.2 (A) / 10.3 (B) / 12.4 (C)
Slewing Angle	o	400
Slewing Torque	mt	2.8
Stabilizer Spread	mm	5640 (R2X) / 6616 (R3X)
Fitting Space Required (Std)	mm	875
Width Folded	mm	2500
Operating Pressure	bar	300
Recommended Pump Capacity	l/min	50-75
Dead Weight (Std)	kg	2376

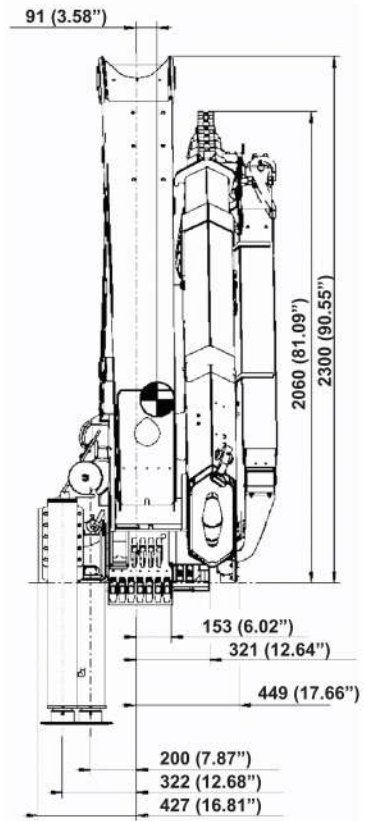
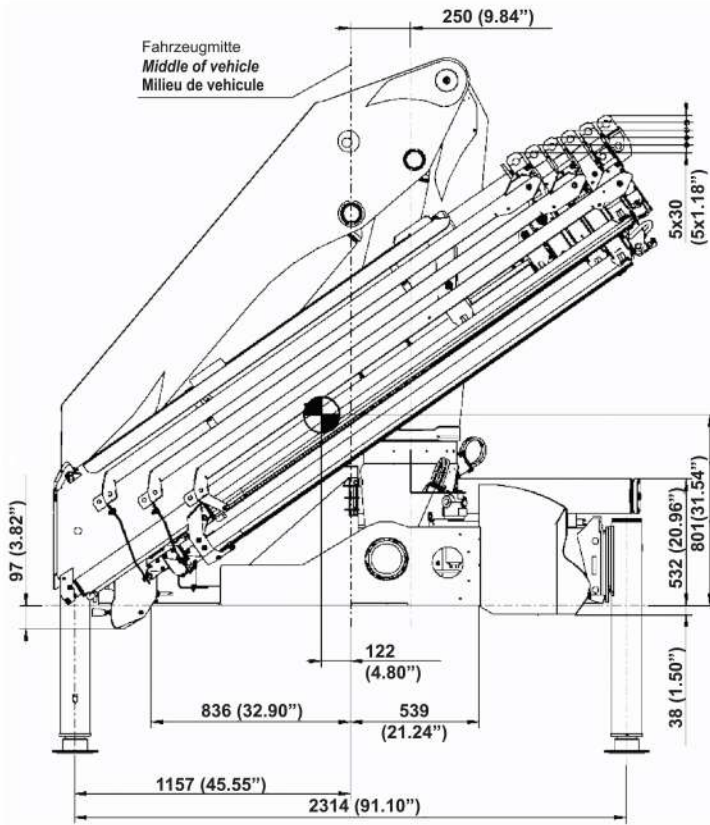
**HD
Paint
protected**

High Density (HD) Paint System provides better resale value retention and attractive aesthetics



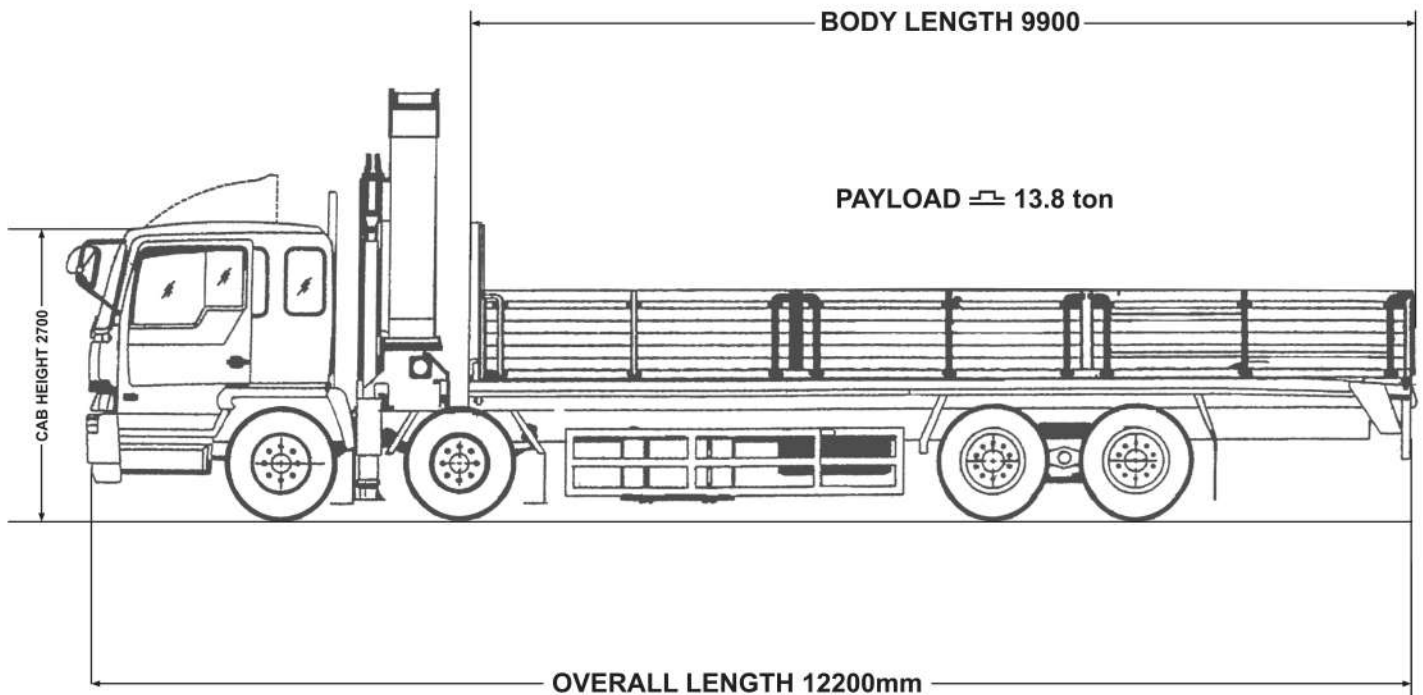
- ↗ Equipped with load holding valves for safe crane operations
- ↗ High speed boom extension and retraction with Return Oil Utilization
- ↗ Optimized lifting performance with the use of high tensile steel and hexagonal boom design
- ↗ Lightweight yet robust construction according to European standards (EN 12999)
- ↗ Optional Overload Protection System and Emergency Stop Button
- ↗ Professional installation solutions with the use of Palsoft programme
- ↗ Suitable for installation on 3-axes trucks
- ↗ High Density (HD) Paint system provides better resale value retention and attractive aesthetics.

DIMENSIONS



* All dimensions are in mm

SIDE VIEW



CE ASIA HEAVY MACHINERY SDN BHD

No. 21, Jalan Kempas Utama 3,
Kempas Utama Industrial Park,
81200 Johor Bahru, Johor, Malaysia.

TEL +6 07- 559 0188

FAX +6 07- 559 0272

EMAIL SALES@CEASIA.MY

WEBSITE WWW.CEASIA.MY

SHOWROOM

Lot 3973, Pasir Gudang Highway,
Mukim Tebrau,
81200 Johor Bahru, Johor.

H/P: 016-779 9282

Email : SALES@CEASIA.MY

Website : www.ceasia.my



SANY PALFINGER

- SALES NETWORK
- SERVICE CENTRE
- SPARE PARTS
- TRAINING CENTRE
- SHOWROOM

