

SPK 36080 MH

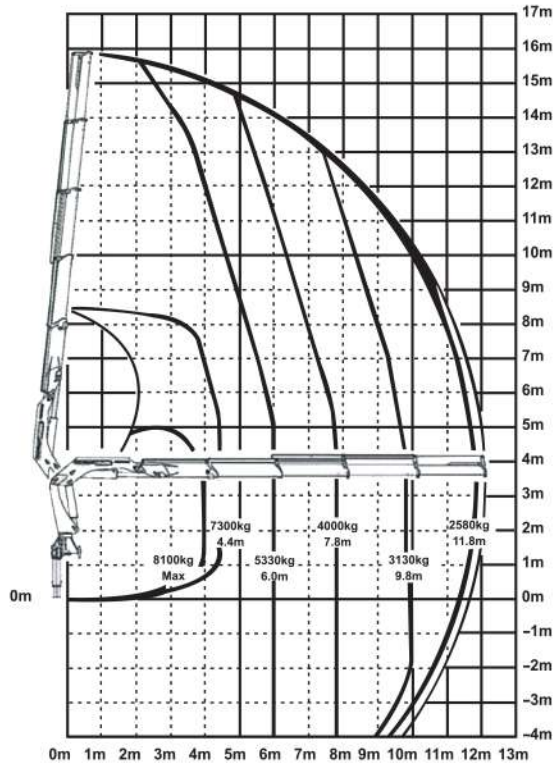
SANY PALFINGER
Exclusive Distributor

KNUCKLE BOOM CRANE



SPK 36080 C

TECHNICAL SPECIFICATIONS (EN 12999 H1-B3)



Max. Lifting Moment	mt	34.8
Max. Lifting Capacity	kg	8500
Max. Hydraulic Outreach	m	12.1
Slewing Angle	o	400
Slewing Torque	mt	3.8
Stabilizer Spread	mm	6000(R3X)
Fitting Space Required (Std)	mm	975
Width Folded	mm	2500
Operating Pressure	bar	330
Recommended Pump Capacity	l/min	55-80
Dead Weight (Std)	kg	3118

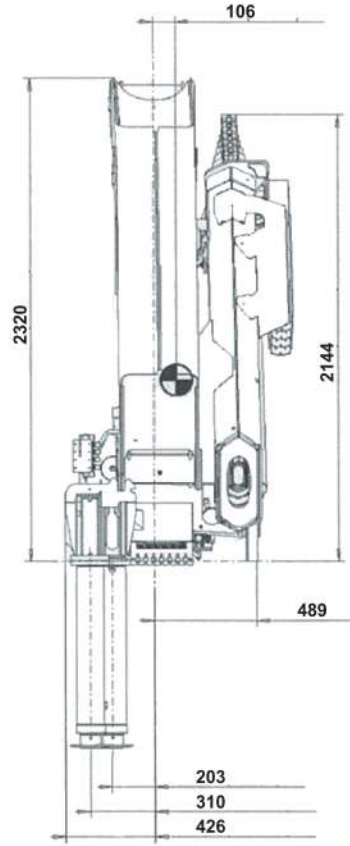
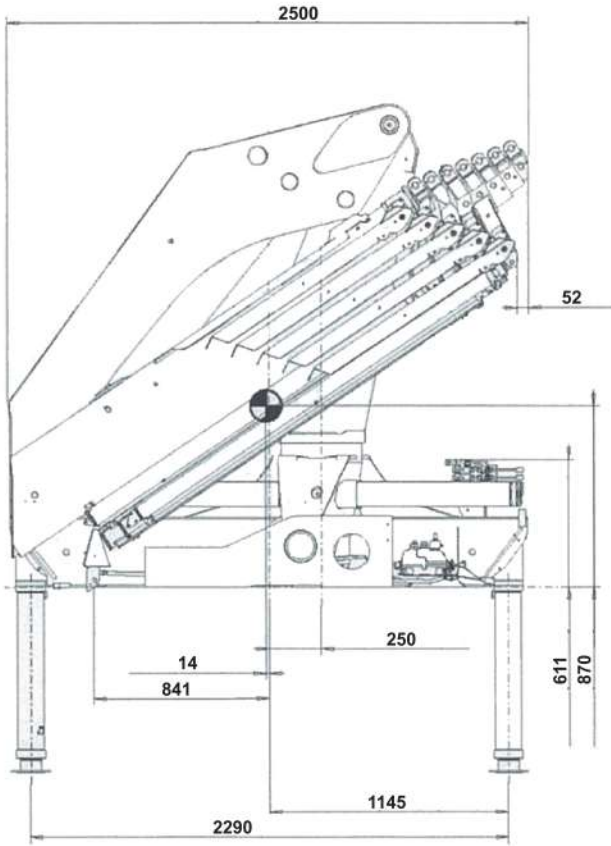


High Density (HD) Paint System provides better resale value retention and attractive aesthetics



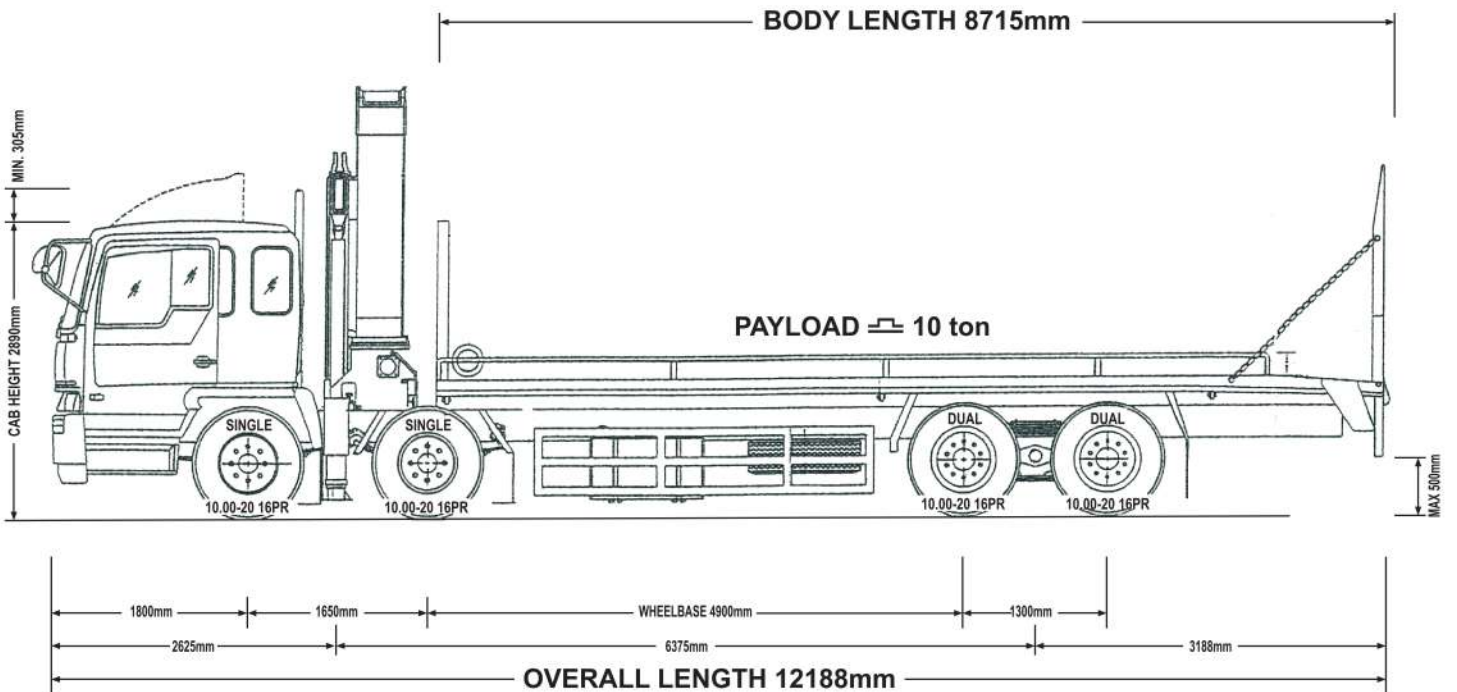
- Electronic Overload Protection (Paltronic 50) and Emergency Stop Button
- Up to 10% increased lifting capacity with High Power Lifting System (HPLS)
- High speed boom extension and retraction with Return Oil Utilization
- Optimized lifting performance with the use of high tensile steel and hexagonal boom design
- Lightweight yet robust construction according to European standards (EN 12999)
- Professional installation solutions
- Suitable for installation on 3-axle trucks

DIMENSIONS



* All dimensions are in mm

SIDE VIEW





CE ASIA HEAVY MACHINERY SDN BHD

No. 21, Jalan Kempas Utama 3,
Kempas Utama Industrial Park,
81200 Johor Bahru, Johor, Malaysia.

TEL +6 07- 559 0188

FAX +6 07- 559 0272

EMAIL SALES@CEASIA.MY

WEBSITE WWW.CEASIA.MY

SHOWROOM

Lot 3973, Pasir Gudang Highway,
Mukim Tebrau,
81200 Johor Bahru, Johor.

H/P: 016-779 9282

Email : SALES@CEASIA.MY

Website : www.ceasia.my



SANY PALFINGER

- SALES NETWORK
- SERVICE CENTRE
- SPARE PARTS
- TRAINING CENTRE
- SHOWROOM

