

SPK 61502 EH

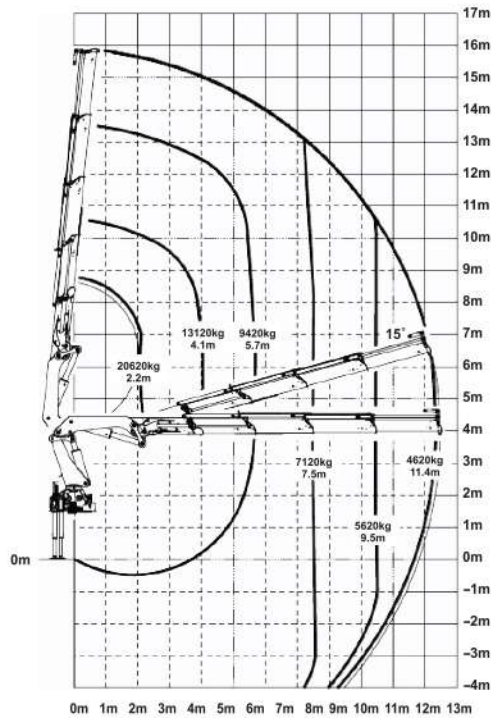
SANY PALFINGER

Exclusive Distributor

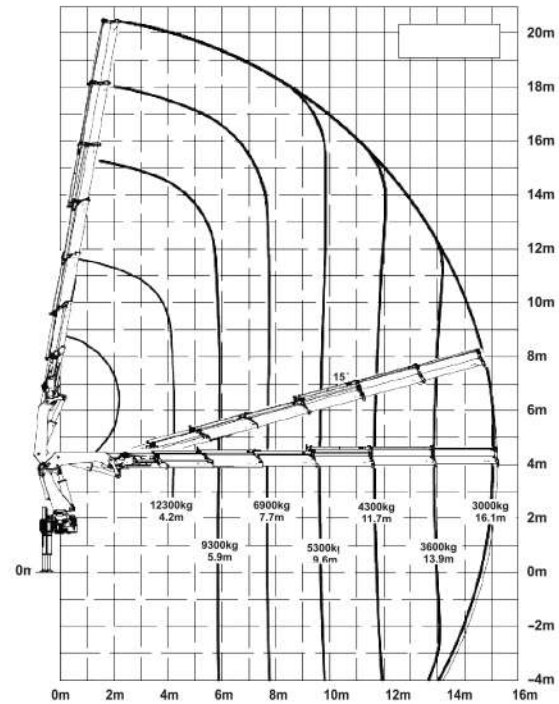
KNUCKLE BOOM CRANE



SPK 61502 C



SPK 61502 E



TECHNICAL SPECIFICATIONS (EN 12999 H1-B3)

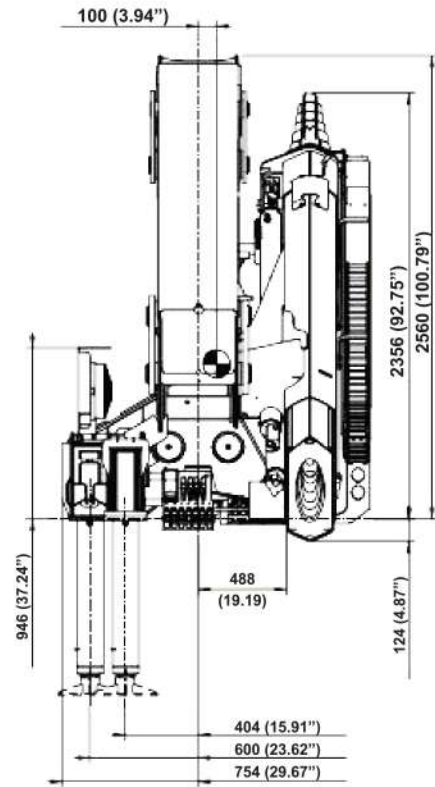
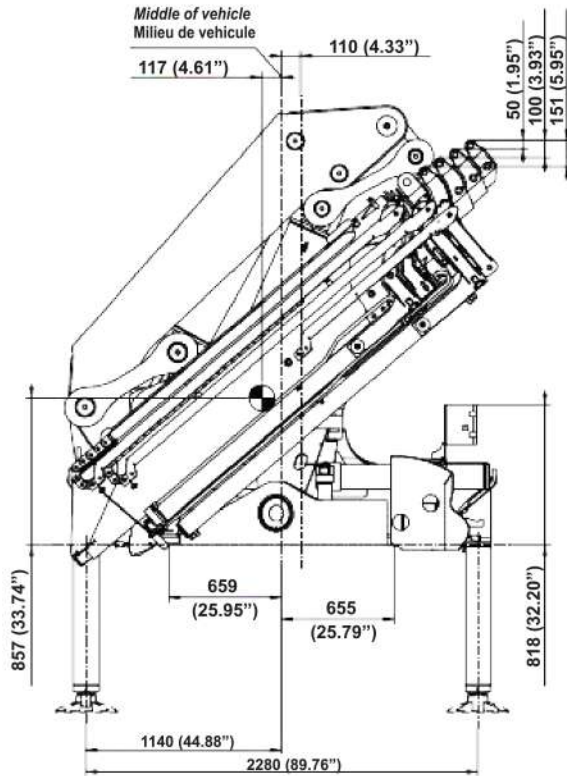
- Equipped with load holding valves for safe crane operations
- High speed boom extension and retraction with Return Oil Utilization
- Optimized lifting performance with the use of high tensile steel and hexagonal boom design
- Lightweight yet robust construction according to European standards (EN 12999)
- Paltronic Overload Protection System and Emergency Stop Button
- Professional installation solutions with the use of Palsoft programme
- Suitable for installation on 4-axles trucks
- High Density (HD) Paint system provides better resale value retention and attractive aesthetics.

Max. Lifting Moment	mt	57.3
Max. Lifting Capacity	kg	21500
Max. Hydraulic Outreach	m	9.5 (B) / 11.5 (C) / 13.7 (D) / 15.9 (E)
Slewing Angle	o	370
Slewing Torque	mt	6.5
Stabilizer Spread	mm	7400 (R3X)
Fitting Space Required (Std)	mm	1560
Width Folded	mm	2550
Operating Pressure	bar	350
Recommended Pump Capacity	l/min	80-100
Dead Weight (Std)	kg	5358

HD
Paint
protected

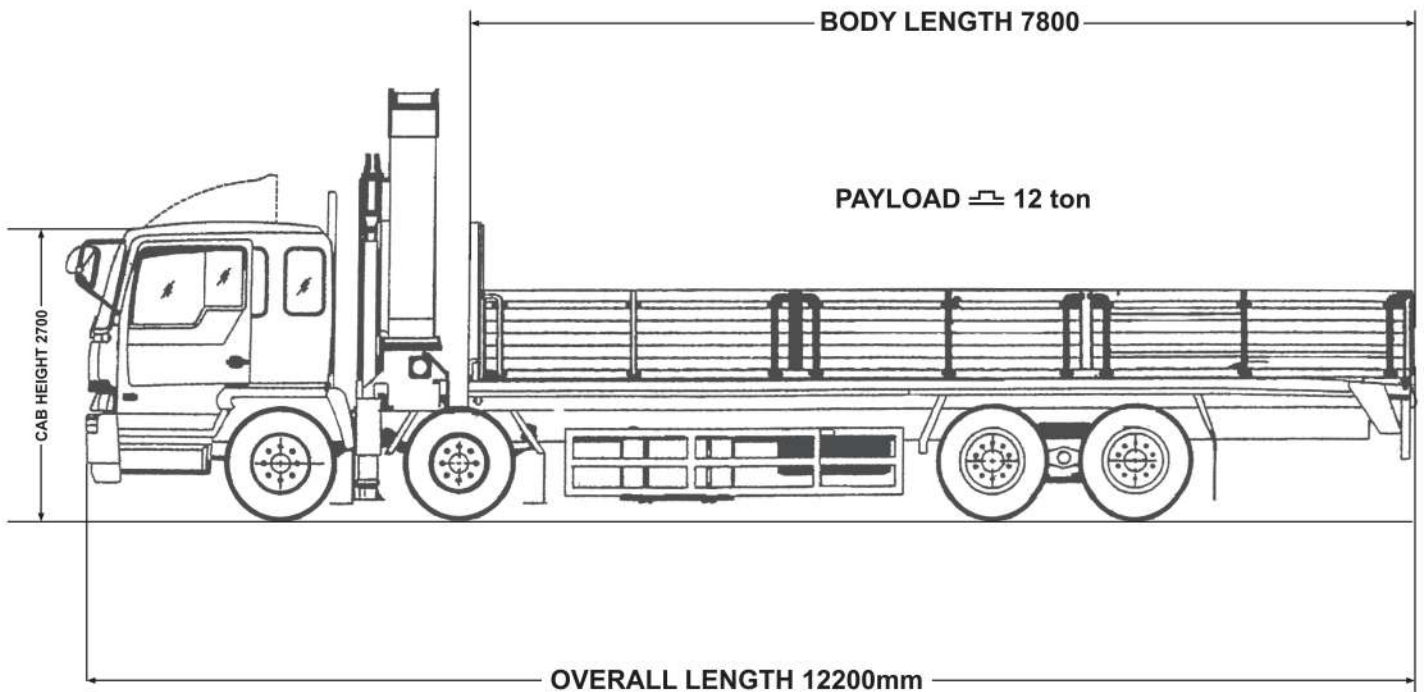


DIMENSIONS



* All dimensions are in mm

SIDE VIEW





CE ASIA HEAVY MACHINERY SDN BHD

No. 21, Jalan Kempas Utama 3,
Kempas Utama Industrial Park,
81200 Johor Bahru, Johor, Malaysia.

TEL +6 07- 559 0188

FAX +6 07- 559 0272

EMAIL SALES@CEASIA.MY

WEBSITE WWW.CEASIA.MY

SHOWROOM

Lot 3973, Pasir Gudang Highway,
Mukim Tebrau,
81200 Johor Bahru, Johor.

H/P: 016-779 9282

Email : SALES@CEASIA.MY

Website : www.ceasia.my



SANY PALFINGER

- SALES NETWORK
- SERVICE CENTRE
- SPARE PARTS
- TRAINING CENTRE
- SHOWROOM

