

SPK 8500

SANY PALFINGER

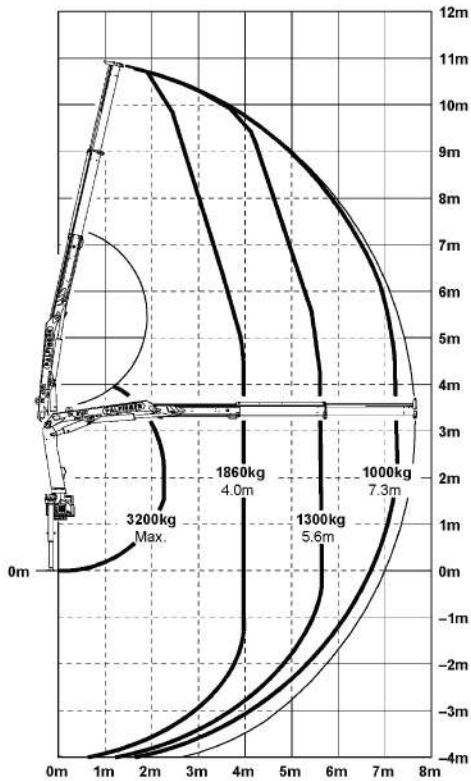
Exclusive Distributor

KNUCKLE BOOM CRANE



SPK 8500 A

TECHNICAL SPECIFICATIONS (EN 12999 H1-B3)



Max. Lifting Moment	mt	7.6
Max. Lifting Capacity	kg	3300
Max. Hydraulic Outreach	m	5.7(Std.) / 7.6(A)
Slewing Angle	o	400
Slewing Torque	mt	0.9
Stabilizer Spread	mm	4.87 (R2/R2X)
Fitting Space Required (Std)	mm	0.66
Width Folded	mm	2.295
Operating Pressure	bar	315
Recommended Pump Capacity	l/min	25 - 35
Dead Weight (Std)	kg	920

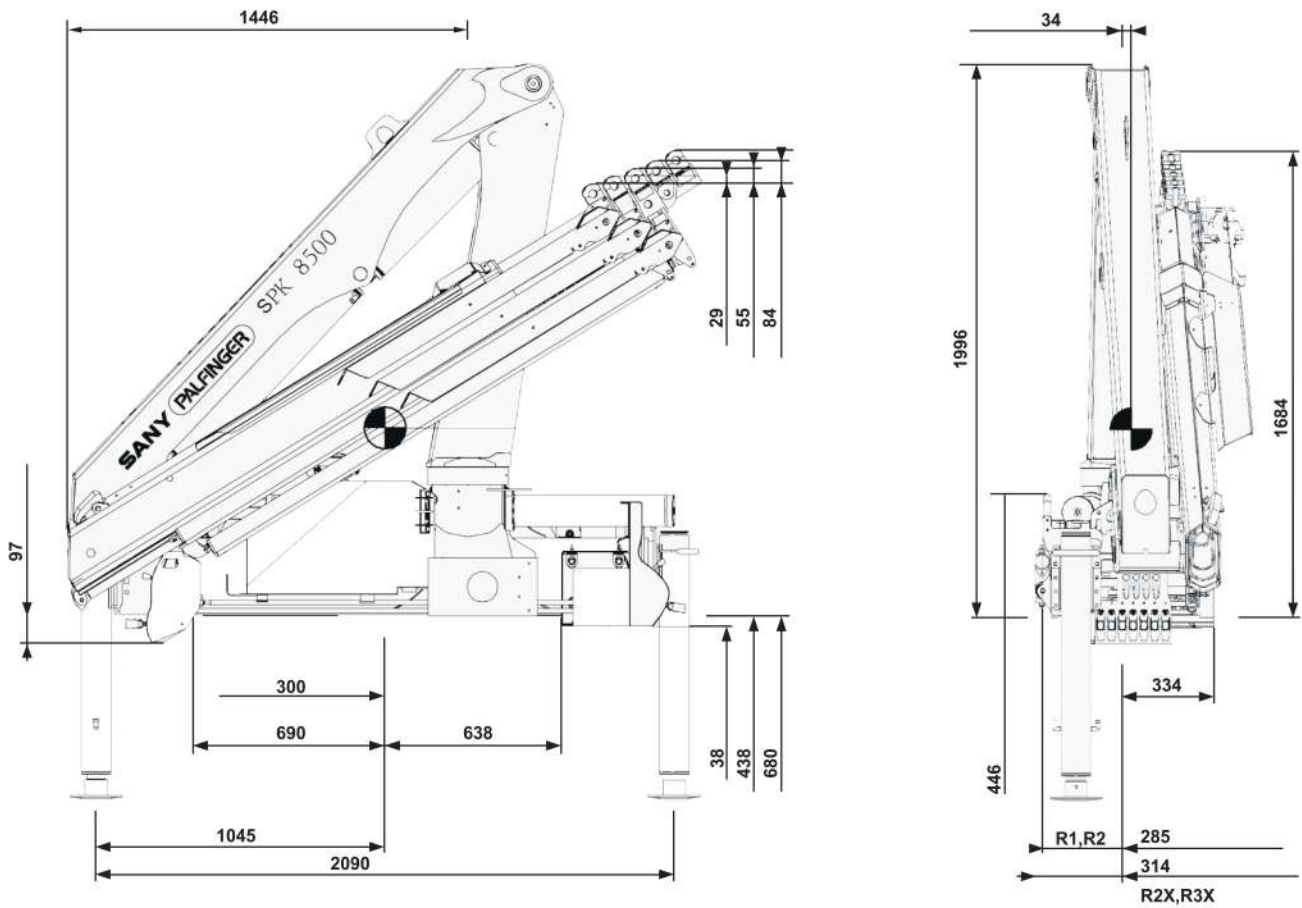
HD
Paint
protected

* Optional features / country-specific equipment



- Equipped with load holding valves for safe crane operations
- High speed boom extension and retraction with Return Oil Utilization
- Optimized lifting performance with the use of high tensile steel and hexagonal boom design
- Lightweight yet robust construction according to European standards (EN 12999)
- Optional Overload Protection System and Emergency Stop Button
- Professional installation solutions with the use of Palsoft programme
- Suitable for installation on 2-axle trucks

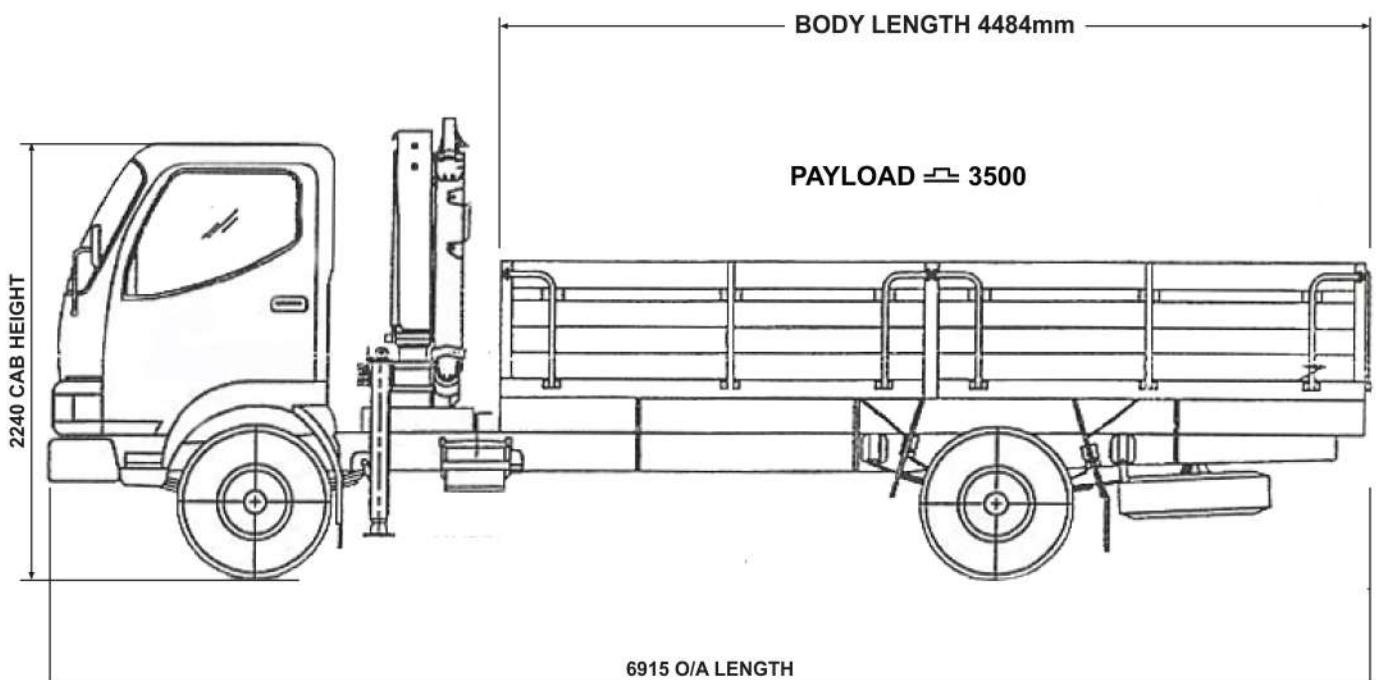
DIMENSIONS



* All dimensions are in mm

** Applications shown in the leaflet do not always correspond to the standard specifications, Design and specification are subject to change without prior notice. **

SIDE VIEW





CE ASIA HEAVY MACHINERY SDN BHD

No. 21, Jalan Kempas Utama 3,
Kempas Utama Industrial Park,
81200 Johor Bahru, Johor, Malaysia.

TEL +6 07- 559 0188

FAX +6 07- 559 0272

EMAIL SALES@CEASIA.MY

WEBSITE WWW.CEASIA.MY

SHOWROOM

Lot 3973, Pasir Gudang Highway,
Mukim Tebrau,
81200 Johor Bahru, Johor.

H/P: 016-779 9282

Email : SALES@CEASIA.MY

Website : www.ceasia.my



SANY PALFINGER

- SALES NETWORK
- SERVICE CENTRE
- SPARE PARTS
- TRAINING CENTRE
- SHOWROOM

