

# SPK 42502 MH

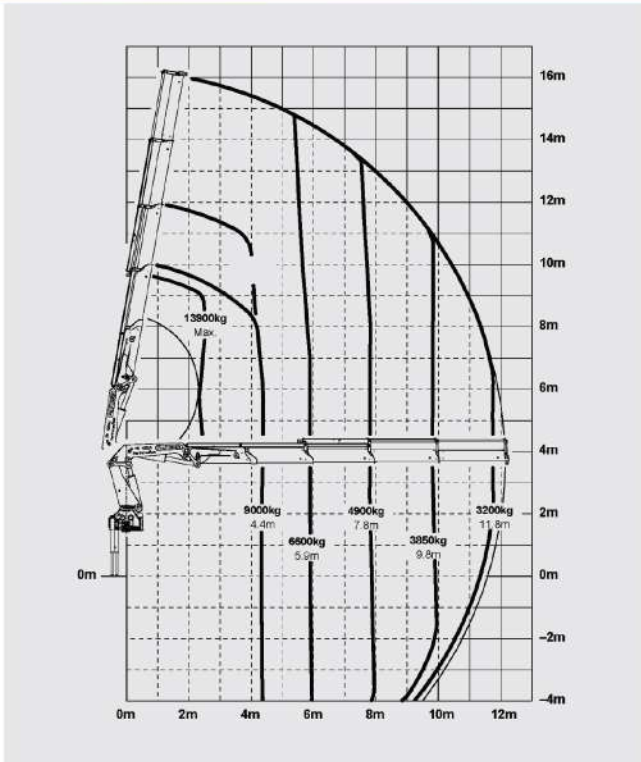
**SANY PALFINGER**

Exclusive Distributor

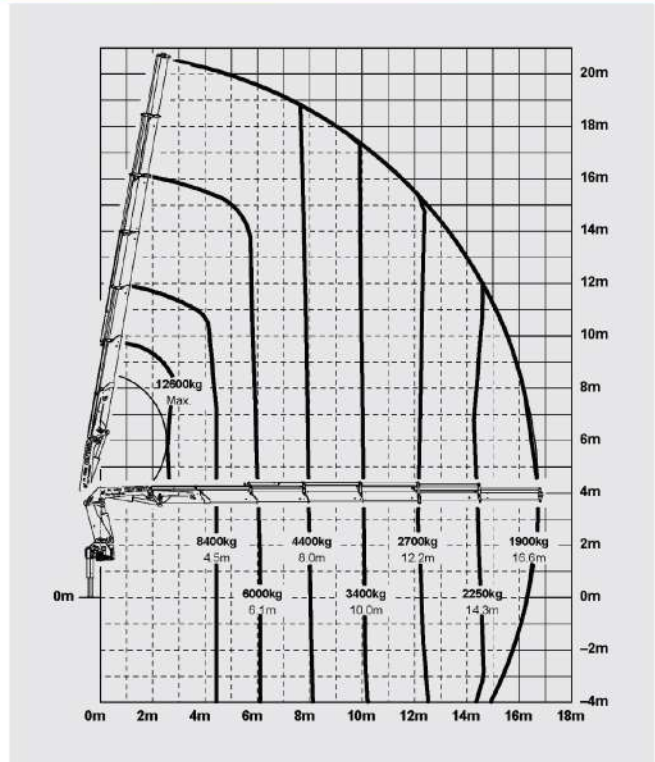
## KNUCKLE BOOM CRANE



## SPK 42502 C



## SPK 42502 E



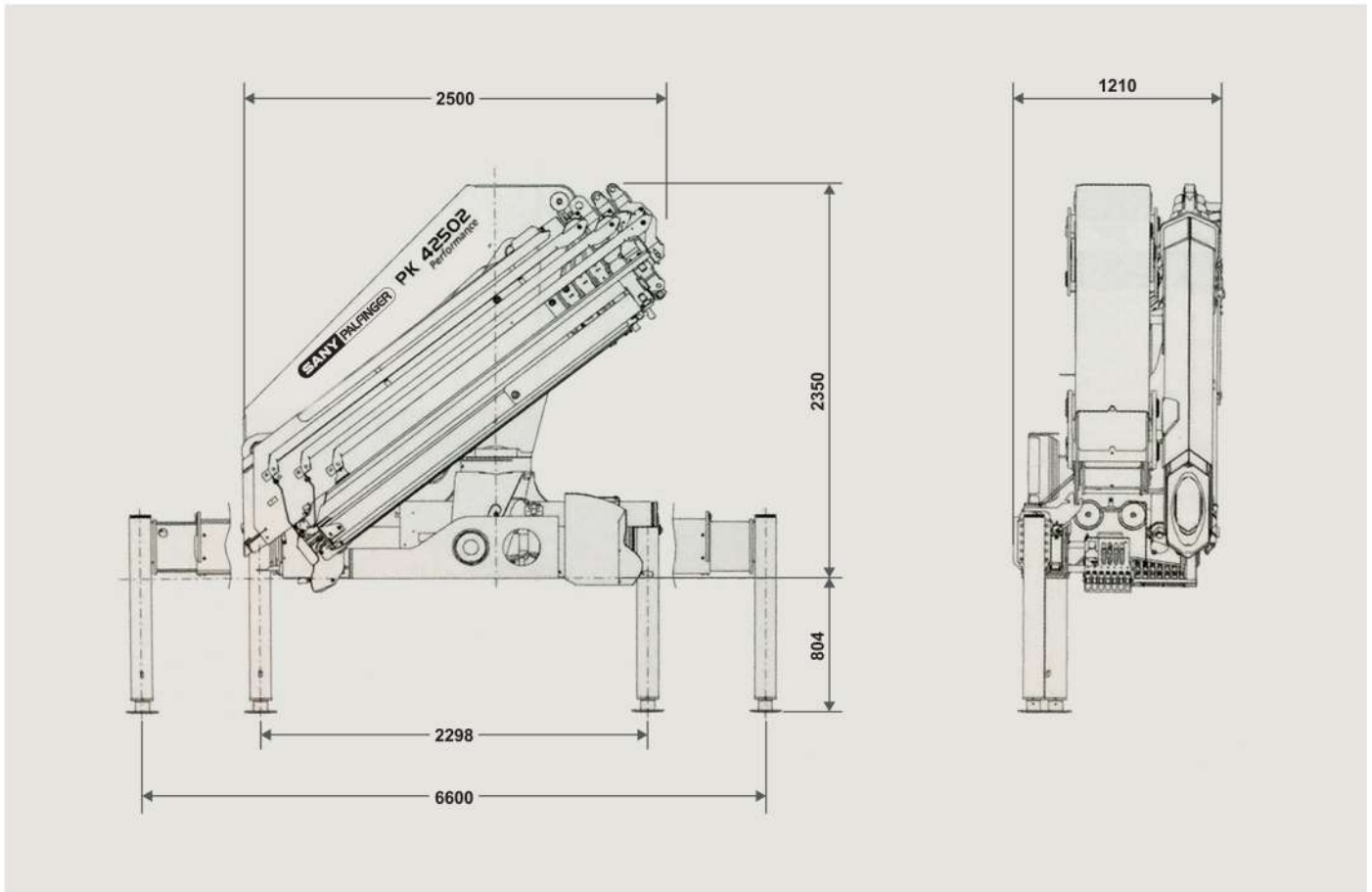
## TECHNICAL SPECIFICATIONS (EN 12999 H1-B3)

- Electronic Overload Protection (Paltronic 50) and Emergency Stop Button
- Up to 10% increased lifting capacity with High Power Lifting System (HPLS)
- High speed boom extension and retraction with Return Oil Utilization
- Optimized lifting performance with the use of high tensile steel and hexagonal boom design
- Lightweight yet robust construction according to European standards (EN 12999)
- Optional Overload Protection and Emergency Stop Button
- Professional installation solutions
- Suitable for installation on 3-axle trucks
- High Density (HD) Paint system provides better resale value retention and attractive aesthetics.

Max. Lifting Moment	mt	42.3
Max. Lifting Capacity	kg	14340
Max. Hydraulic Outreach	m	12.1(C)/16.8(E)
Slewing Angle	o	400
Slewing Torque	mt	5.0
Stabilizer Spread	mm	6600 (R3X)
Fitting Space Required (Std)	mm	1210
Width Folded	mm	2500
Operating Pressure	bar	330
Recommended Pump Capacity	l/min	80 - 100
Dead Weight (Std)	kg	4205



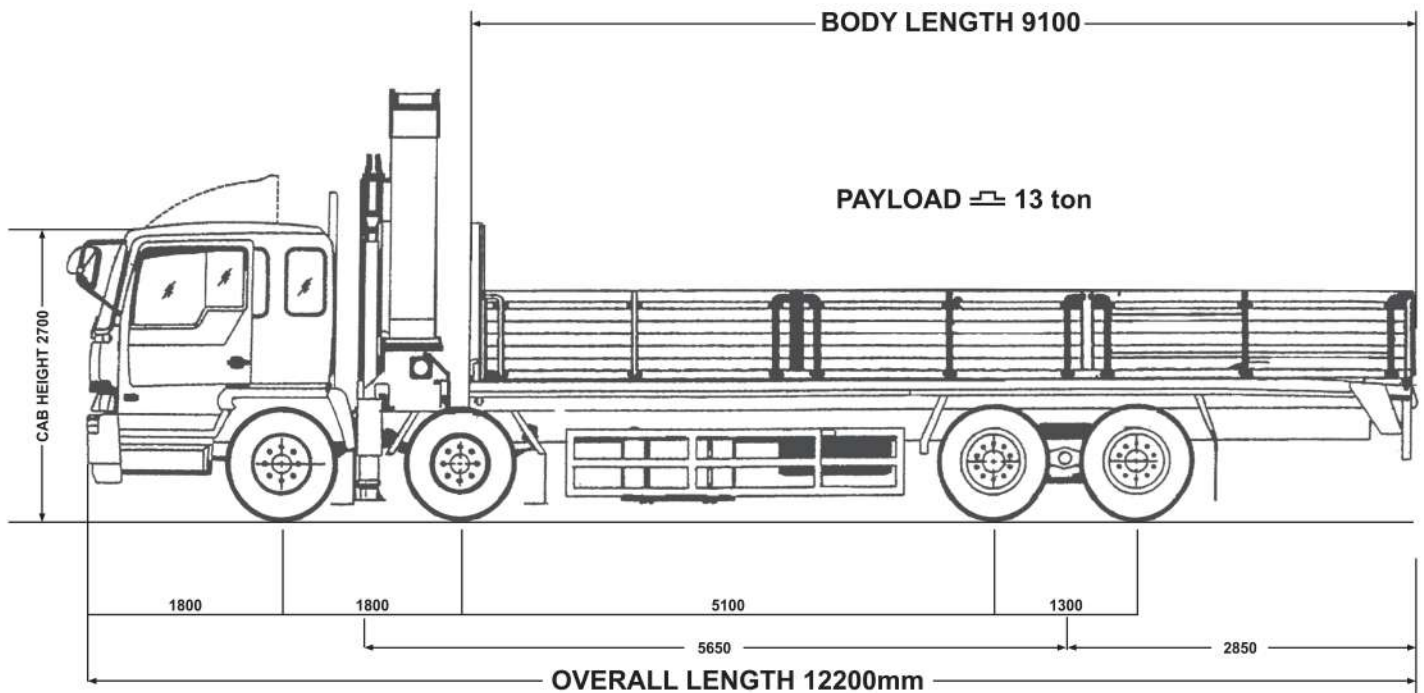
## DIMENSIONS



\* All dimensions are in mm

\*\* Applications shown in the leaflet do not always correspond to the standard specifications, Design and specification are subject to change without prior notice. \*\*

## SIDE VIEW



## CE ASIA HEAVY MACHINERY SDN BHD

No. 21, Jalan Kempas Utama 3,  
Kempas Utama Industrial Park,  
81200 Johor Bahru, Johor, Malaysia.

TEL +6 07- 559 0188

FAX +6 07- 559 0272

EMAIL SALES@CEASIA.MY

WEBSITE WWW.CEASIA.MY

## SHOWROOM

Lot 3973, Pasir Gudang Highway,  
Mukim Tebrau,  
81200 Johor Bahru, Johor.

H/P: 016-779 9282

Email : SALES@CEASIA.MY

Website : www.ceasia.my



## SANY PALFINGER

- SALES NETWORK
- SERVICE CENTRE
- SPARE PARTS
- TRAINING CENTRE
- SHOWROOM

